

BATH CHAIRS

INSTRUCTIONS FOR USE

Code 7607,7609, 7511,7512



SECTIONS	PAGE
1.0 BATH CHAIR	1
2.0 BATH CORNER CHAIR	12



1. BATH CHAIR

INSTRUCTIONS FOR USE

Code 7607-7609



CONTENTS	PAGE
1.0 INTRODUCTION	3
2.0 ILLUSTRATION & TECHNICAL DATA	4
3.0 FOR YOUR SAFETY	5
4.0 UNPACKING YOUR CHAIR	6
5.0 SETTING UP AND ADJUSTING YOUR CHAIR	6
6.0 CARE & MAINTENANCE	7
7.0 WARRANTY & SERVICE	10
8.0 CONTINUOUS IMPROVEMENT	10
9.0 SERVICE INSPECTION	11

1.0 INTRODUCTION

Thank you for choosing the Smirthwaite Bath Chair.

With its simple, slim line design, the bath chair gives your child more space and freedom to bathe without restrictions. Our bath chair has been designed to allow your child to bathe safely and more independently.



IMPORTANT!

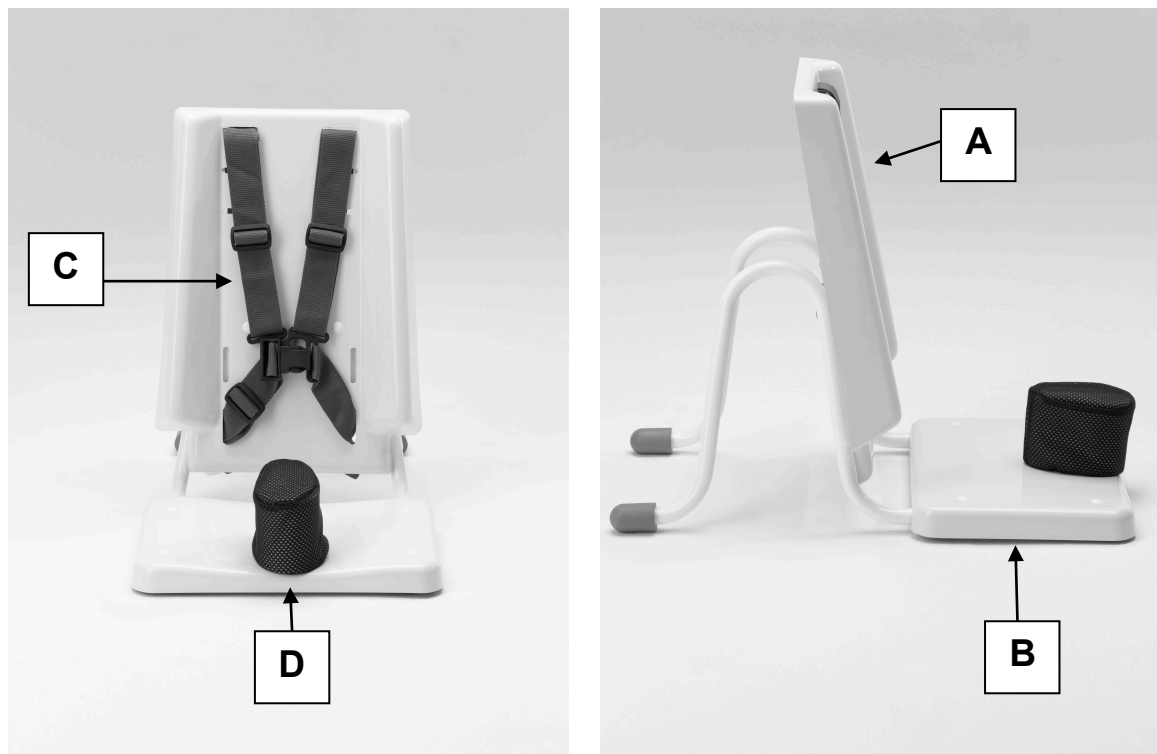
These instructions should be read by all therapists and carers using the equipment and should be retained for future reference. The product should always be used under adult supervision.

Any incorrect use of the product and failure to follow the instructions may put the user at risk or impede the function. If you have any queries using this product or wish for further copies, please do not hesitate to contact Customer Service department on T: +44 (0) 1626 835552.

This product has been designed and manufactured specifically and solely for use by clients with special needs.



2.0 ILLUSTRATION OF YOUR CHAIR



- A. Seat back
- B. Seat base
- C. Pelvic buckle strap
- D. Pommel

2.1 TECHNICAL DATA

SIZE	1	2
Dimension		
Height (mm)	470	560
Width (mm)	350	350
Depth (mm)	250	325
User Weight (kg)	35	35
Shipping Weight (kg)	5	8



3.0 FOR YOUR SAFETY



STOP!

Please read these instructions CAREFULLY and THOROUGHLY

- The user should **NOT** be left unattended whilst in the chair. Always ensure a responsible therapist or carer is in attendance.
- Regular maintenance checks and cleaning are essential for the safe use of this equipment (see care and maintenance section).
- Always fasten the pelvic buckle strap and any other straps provided with the chair.
- Regularly check that straps and/or harnesses are not showing signs of tearing or fraying, and that they fasten correctly.
- **DO NOT** use with bath oils or bath salts.
- If any part is loose, damaged or functioning incorrectly, **DO NOT** use until rectified.
- Always keep this product away from naked flames, cigarettes and sources of heat including open fireplaces, radiators, heaters.
- **DO NOT** fit parts or accessories of other manufacturers to this product unless authorised to do so in writing by Smirthwaite Ltd. Failure to follow these instructions will not only invalidate the guarantee but could make the chair dangerous to use. Smirthwaite Ltd will not accept liability for any injury or damage incurred through such malpractices. Any repairs required must be carried out by Smirthwaite Ltd authorised personnel.
- The Bath Chair is CE marked. This certifies that it meets all relevant European safety requirements.



STOP!

LAP STRAPS & HARNESSSES SAFETY NOTICE


Lap straps and harnesses must be appropriate and safe for the user and the users clothing.

Lap straps and harnesses must be checked every time the chair is used to ensure they are fitted as prescribed by the clinician, take account of the users clothing and are tightened so that the user cannot sustain injury. Checking the fit of lap straps and harnesses must be done with the user in the chair and should be undertaken as soon as the users sits in the chair.



4.0 UNPACKING YOUR CHAIR

- When delivered, the chair will be supplied fully assembled.
- Please take note of any instructions on the packaging/box when unpacking.
- Once the chair has been carefully unpacked, please check all parts.
- If any part is loose, damaged or functioning incorrectly – do not use until rectified.

	STOP!
	If you believe this product to be faulty – DO NOT USE – Contact Smirthwaite Ltd on T: +44 (0) 1626 835552

5.0 SETTING UP AND ADJUSTING YOUR CHAIR

	STOP!
	If in any doubt, ALWAYS seek ADVICE
	We recommend that the chair be washed in warm soapy water and that it is fully adjusted to fit the child before use

5.1 CHAIR

- Ensure that the frame is positioned centrally in the bath and not to the side.
- Ensure the frame is flat to the bath and does not move up or down.
- Unbuckle the straps before seating the child.
- DO NOT lift the bath chair with the child seated in it.
- NEVER leave a child unattended in the chair.
- Take care when seating the child ensuring that they are comfortable and secure safely by the harness



6.0 CARE AND MAINTENANCE



IMPORTANT!

Cleaning is recommended on a regular basis

- The Bath Chair should be cleaned before and/or after use with mild soap and water.
- Store the chair in a cool dry place out of direct sunlight.
- The pelvic strap and mesh pommel cover can be cleaned with a damp cloth. In cases of extreme soiling they can be machine washed at low temperature with a mild detergent, but must be drip dried.
- DO NOT use bleach, solvents, abrasives, synthetic detergents, wax polishes, antibacterial sprays or wipes.
- Always keep this product away from naked flames, cigarettes and sources of heat including open fires, radiators and heaters.
- For further information please refer to MHRA or your NHS cleaning guidelines.

6.1 DAILY CHECKS

- Check the product for loose, damaged or missing components
- Check the pelvic strap (and any additional provided) for signs of wear and tear
- Keep all parts clean



STOP!

The user should not be seated while the checks are carried out.

6.2 SERVICE INTERVAL

The Bath Chair should be serviced every 3 years. Servicing must only be undertaken by a Smirthwaite service engineer, or by a Smirthwaite trained representative.




6.3 NOMINAL SERVICE LIFE

Your product has a nominal service life of 12 years, during which full post-sales support will be available with regard to spares and servicing.

Product service life has been determined based upon the design complexity of product, and the anticipated exposure to normal use.

Good practice dictates all Smirthwaite products have been designed and manufactured to high levels of safety and quality, and will meet requirements of normal use when maintained in line with our servicing recommendations.

	STOP!
	<p>If the product has been out of use for an extended period of time (6 months or more) it should always be serviced prior to being reissued.</p> <p>If the product has been subjected to ‘heavy’ or ‘constant’ use, the service should be reduced to half the recommended period. Constant and/or heavy use is considered to be:</p> <ul style="list-style-type: none">• Daily use above 7 hours duration• Weekly use above 5 days duration• Monthly use above 10 months per year• Use by a client who is at 90% to 100% of the maximum weight limit of the product. The maximum weight limit must NEVER be exceeded• Use by a client who is extremely active, either voluntarily or involuntarily

6.4 EXTENDING NOMINAL SERVICE LIFE

At Smirthwaite we are proud to produce products that have a reputation for quality and durability.

We believe our products have the potential to provide benefits to our clients beyond the nominal service life documented above.

We will continue to provide full support beyond the nominal service life provided the following conditions are met:

1. A full service schedule has been maintained.
2. A full service and inspection is undertaken at the end of the nominal service life period
3. The product is subsequently serviced annually (or biannually if under ‘heavy/constant’ use conditions)
4. Smirthwaite reserve the right to limit support where parts/components are no longer available



6.5 DOCUMENTATION/RECORDS

- It is the responsibility of the current equipment owner to ensure the 'Instructions for Use' manual and any further manuals for accessories fitted to the equipment are handed over to the new owner at the time of exchange/sale
- It is the responsibility of the current equipment owner to ensure the service and inspection record form is kept up to date

6.6 PRODUCT CONFIGURATION

- Smirthwaite will document and maintain a record of the original product configuration at the time of first sale
- Smirthwaite will not be held responsible for any subsequent changes to this configuration unless authorized to do so in writing by Smirthwaite Ltd
- It is the equipment owner's responsibility to maintain their own records of changes to the equipment configuration and to be able to provide such records to subsequent owners to maintain traceability
- We recommend an inspection/service by a Smirthwaite Service Engineer (or Smirthwaite trained engineer) whenever a significant change is made to product configuration to ensure the product is safe to use. **If in any doubt, ALWAYS seek ADVICE**



IMPORTANT REMINDER!

DO NOT fit parts or accessories of other manufacturers to this product unless authorized to do so in writing by Smirthwaite Ltd.

Any servicing or repairs required must be carried out by Smirthwaite Ltd (or a Smirthwaite trained engineer).

If you believe this product to be faulty – DO NOT USE – Contact Smirthwaite Ltd on T: +44 (0) 1626 835552

If in any doubt, ALWAYS seek ADVICE.



7.0 WARRANTY & SERVICE

Smirthwaite Ltd warrants the products detailed on your order to be free from defects in materials and workmanship for a period of 2 years from date of delivery. If a fault develops during the period, please call Customer Services by email or telephone 01626 835552 who will advise you on the best course of action. Possible action may be for us to arrange to send out one of our Service Engineers, or have the goods returned to us. Should a repair not be possible within the guarantee period we will replace the product for new or nearest equivalent product. In the unlikely event that we cannot repair or exchange we will refund in full.

This warranty is for the UK only. The warranty excludes faults due to accident, neglect, misuse, not following the Instructions and normal wear and tear. This warranty is in addition to your legal rights. Goods will only be collected from the original delivery address.

A charge may be made where the goods cannot be repaired under the terms of the warranty. You will be advised before this is made.

T: +44 (0)1626 835552 E: info@smirthwaite.co.uk

8.0 CONTINUOUS IMPROVEMENT

Smirthwaite Ltd are committed to continuous improvement to their product range. Should you have any suggestions or comments please send them to our product design department at: info@smirthwaite.co.uk

Smirthwaite Ltd reserve the right to change the specification or material without prior notice.

For catalogues, help and further information on our products please contact us at:

Smirthwaite Ltd

16 Wentworth Road

Heathfield

Devon

TQ12 6TL

T: +44 (0)1626 835552

F: +44 (0)1626 835428

E: info@smirthwaite.co.uk

W: www.smirthwaite.co.uk



2.BATH CORNER CHAIR

INSTRUCTIONS FOR USE

Code 7511-7512



CONTENTS	PAGE
1.0 INTRODUCTION	13
2.0 ILLUSTRATION & TECHNICAL DATA	14
3.0 FOR YOUR SAFETY	17
4.0 UNPACKING YOUR CHAIR	18
5.0 SETTING UP AND ADJUSTING YOUR CHAIR	19
6.0 CARE & MAINTENANCE	21
7.0 WARRANTY & SERVICE	22
8.0 CONTINUOUS IMPROVEMENT	23
9.0 SERVICE INSPECTION	24

1.0 INTRODUCTION

Thank you for choosing the Smirthwaite Bath Corner Chair.

The Bath Corner Chair is designed for children to enable them to sit upright and develop control while supported in the bath, with outstretched legs. It is suitable for children who have developed a level of trunk control but are unable to self prop or maintain a seated position. The chair encourages the child to play hands free, while facilitating development and therapy.



IMPORTANT!

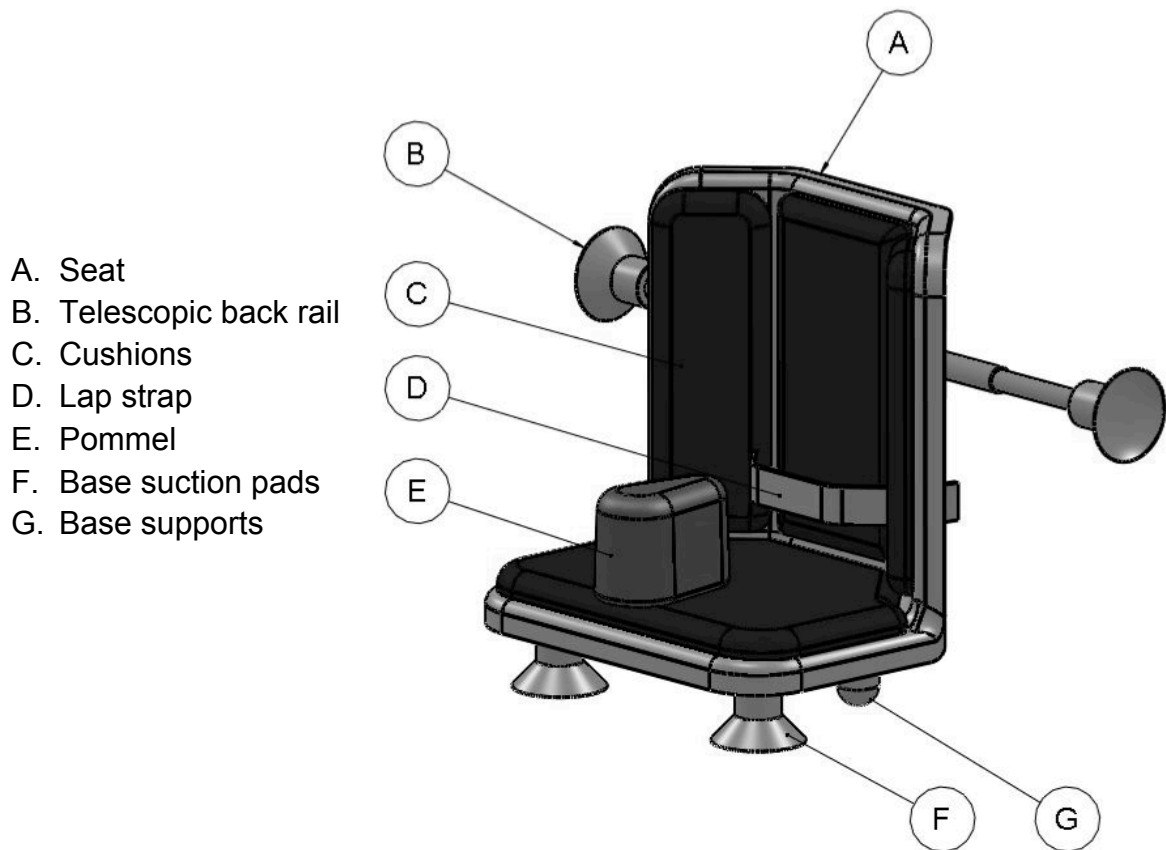
These instructions should be read by all therapists and carers using the equipment and should be retained for future reference. The product should always be used under adult supervision.

Any incorrect use of the product and failure to follow the instructions may put the user at risk or impede the function. If you have any queries using this product or wish for further copies, please do not hesitate to contact Customer Service department on T: +44 (0) 1626 835552.

This product has been designed and manufactured specifically and solely for use by clients with special needs.



2.0 ILLUSTRATION OF YOUR CHAIR



2.1 TECHNICAL DATA

SIZE	1	2
Dimension		
Height (mm)	350	460
Width (mm)	340	340
Depth w/out pads (mm)	260	310
Depth (mm)	245	295
User Weight (kg)	30	35
Shipping Weight (kg)	3	4



3.0 FOR YOUR SAFETY



STOP!

Please read these instructions **CAREFULLY** and **THOROUGHLY**

- The user should **NOT** be left unattended whilst in the chair. Always ensure a responsible therapist or carer is in attendance.
- The carer should be familiar with the methods of adjustment and have completed all adjustments appropriately to meet the needs of the child before transferring the child onto the chair
- A telescopic back rail must always be fitted before use.
- Regular maintenance checks and cleaning are essential for the safe use of this equipment (see care and maintenance section).
- Always fasten the pelvic strap and any other straps provided with the chair.
- Regularly check that straps and/or harnesses are not showing signs of tearing or fraying, and that they fasten correctly.
- **DO NOT** use with bath oils or bath salts.
- If any part is loose, damaged or functioning incorrectly, **DO NOT** use until rectified.
- Always keep this product away from naked flames, cigarettes and sources of heat including open fireplaces, radiators, heaters.
- **DO NOT** fit parts or accessories of other manufacturers to this product unless authorised to do so in writing by Smirthwaite Ltd. Failure to follow these instructions will not only invalidate the guarantee but could make the chair dangerous to use. Smirthwaite Ltd will not accept liability for any injury or damage incurred through such malpractices. Any repairs required must be carried out by Smirthwaite Ltd authorised personnel.
- The Bath Corner Chair is CE marked. This certifies that it meets all relevant European safety requirements



STOP!

LAP STRAPS & HARNESSSES SAFETY NOTICE

Lap straps and harnesses must be appropriate and safe for the user and the users clothing.

Lap straps and harnesses must be checked every time the chair is used to ensure they are fitted as prescribed by the clinician, take account of the users clothing and are tightened so that the user cannot sustain injury. Checking the fit of lap straps and harnesses must be done with the user in the chair and should be undertaken as soon as the users sits in the chair.



4.0 UNPACKING YOUR CHAIR

- When delivered, the chair will be supplied in 3 parts; the chair, the telescopic back rail and grab rail
- Please take note of any instructions on the packaging/box when unpacking.
- Once the chair has been carefully unpacked, please check all parts.
- If any part is loose, damaged or functioning incorrectly – do not use until rectified.



STOP!

If you believe this product to be faulty – DO NOT USE – Contact Smirthwaite Ltd on T: +44 (0) 1626 835552



6.0 SETTING UP AND ADJUSTING YOUR CHAIR



STOP!

If in any doubt, ALWAYS seek ADVICE

We recommend that the chair be washed in warm soapy water and that it is fully adjusted to fit the child before use

5.1 TELESCOPIC RAILS



STOP!

A telescopic back rail must always be fitted to the back of the chair for added strength and stability

The back rail is telescopic – it can easily be adjusted to fit most baths

- Separate the back rail into 2 parts
- Slide the two parts through the brackets on the rear of the chair
- Slide the tubes back together
- Lubricate the suction cups on the end of the back rail with mild soap and water
- Extend the back rail to fit the sides of the bath, ensuring they are pushed firmly against the sides of the bath
- Please check that the suction cups are firmly in position before seating a child in the chair



IMPORTANT

A telescopic hand/grab rail can be positioned in front of the chair to give the child additional support and safety

The hand/grab rail is also telescopic – it can easily be adjusted to fit most baths.

- Place into position once the child is seated in the bath chair
- Lubricate the suction cups on the end of the hand/grab rail with mild soap and water



- Extend the rail to fit the sides of the bath, ensuring they are pushed firmly against the sides of the bath

5.2 CHAIR

- Ensure the telescope back rail has been fitted as per Section 5.1 (first 4 points)
- Ensure the pelvic strap is in the correct position – additional straps can be ordered and used as chest strapping in the slots provided
- Loosen the pommel handwheel (found under the chair)
- Position the pommel in one of the four holes provided in the chair
- Retighten the pommel handwheel
- Lubricate the 2 suction cups found on the underside of the chair with mild soap and water
- Position the chair in the bath pressing down evenly and firmly to locate the suction cups to the bottom of the bath before filling the bath with water
- Extend the back rail and firmly fit to side of bath



IMPORTANT

CONFIRM the chair is stable and secure before placing the child into the chair

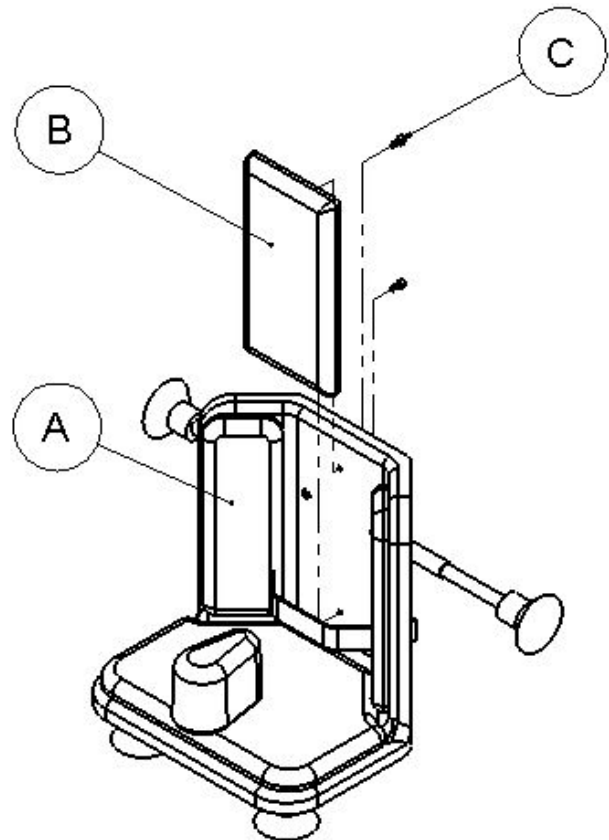
5.3 CHAIR REMOVAL

- To detach the Bath Corner Chair from the bath, lift an edge of a suction cup to release the pressure and lift the chair out of the bath.



5.4 CUSHION REMOVAL

- A. Chair
- B. Cushion
- C. Securing Bolts



- All cushions are secured to the chair by 2 bolts that come through the chair from the back/underside.
- To remove the cushions, these bolts can be loosened and removed using the supplied 4mm hexagon key.
- The cushions can then be reattaching by replacing the bolts into the holes and into the corresponding holes on the cushions and tightening with the 4mm hexagon key.



6.0 CARE AND MAINTENANCE



IMPORTANT!

Cleaning is recommended on a regular basis

- The Bath Corner Chair and suction cups should be cleaned after use with mild soap and water.
- Rinse with clean water, and dry.
- Store the chair in a cool dry place out of direct sunlight.
- The pelvic strap and mesh pommel cover can be cleaned with a damp cloth. In cases of extreme soiling they can be machine washed at low temperature with a mild detergent, but must be drip dried.
- The cushions can be cleaned with a damp cloth and mild detergent.
- DO NOT use bleach, solvents, abrasives, synthetic detergents, wax polishes, antibacterial sprays or wipes.
- Always keep this product away from naked flames, cigarettes and sources of heat including open fires, radiators and heaters.
- For further information please refer to MHRA or your NHS cleaning guidelines.

6.1 DAILY CHECKS

- Check the product for loose, damaged or missing components
- Check the pelvic strap (and any additional provided) for signs of wear and tear
- Check the rails can be adjusted correctly, and that the suction cups firmly locate the chair in the bath
- Keep all parts clean



STOP!

The user should not be seated while the checks are carried out.

6.2 SERVICE INTERVAL

The Bath Corner Chair should be serviced every 3 years. Servicing must only be undertaken by a Smirthwaite service engineer, or by a Smirthwaite trained representative.




6.3 NOMINAL SERVICE LIFE

Your product has a nominal service life of 12 years, during which full post-sales support will be available with regard to spares and servicing.

Product service life has been determined based upon the design complexity of product, and the anticipated exposure to normal use.

Good practice dictates all Smirthwaite products have been designed and manufactured to high levels of safety and quality, and will meet requirements of normal use when maintained in line with our servicing recommendations.

	<p>STOP!</p> <p>If the product has been out of use for an extended period of time (6 months or more) it should always be serviced prior to being reissued.</p> <p>If the product has been subjected to ‘heavy’ or ‘constant’ use, the service should be reduced to half the recommended period.</p> <p>Constant and/or heavy use is considered to be:</p> <ul style="list-style-type: none">• Daily use above 7 hours duration• Weekly use above 5 days duration• Monthly use above 10 months per year• Use by a client who is at 90% to 100% of the maximum weight limit of the product. The maximum weight limit must NEVER be exceeded• Use by a client who is extremely active, either voluntarily or involuntarily
---	--

6.4 EXTENDING NOMINAL SERVICE LIFE

At Smirthwaite we are proud to produce products that have a reputation for quality and durability.

We believe our products have the potential to provide benefits to our clients beyond the nominal service life documented above.

We will continue to provide full support beyond the nominal service life provided the following conditions are met:

5. A full service schedule has been maintained.
6. A full service and inspection is undertaken at the end of the nominal service life period
7. The product is subsequently serviced annually (or biannually if under ‘heavy/constant’ use conditions)
8. Smirthwaite reserve the right to limit support where parts/components are no longer available



6.5 DOCUMENTATION/RECORDS

- It is the responsibility of the current equipment owner to ensure the 'Instructions for Use' manual and any further manuals for accessories fitted to the equipment are handed over to the new owner at the time of exchange/sale
- It is the responsibility of the current equipment owner to ensure the service and inspection record form is kept up to date

6.6 PRODUCT CONFIGURATION

- Smirthwaite will document and maintain a record of the original product configuration at the time of first sale
- Smirthwaite will not be held responsible for any subsequent changes to this configuration unless authorized to do so in writing by Smirthwaite Ltd
- It is the equipment owner's responsibility to maintain their own records of changes to the equipment configuration and to be able to provide such records to subsequent owners to maintain traceability
- We recommend an inspection/service by a Smirthwaite Service Engineer (or Smirthwaite trained engineer) whenever a significant change is made to product configuration to ensure the product is safe to use. **If in any doubt, ALWAYS seek ADVICE**



IMPORTANT REMINDER!

DO NOT fit parts or accessories of other manufacturers to this product unless authorized to do so in writing by Smirthwaite Ltd.

Any servicing or repairs required must be carried out by Smirthwaite Ltd (or a Smirthwaite trained engineer).

If you believe this product to be faulty – DO NOT USE – Contact Smirthwaite Ltd on T: +44 (0) 1626 835552

If in any doubt, ALWAYS seek ADVICE.



7.0 WARRANTY & SERVICE

Smirthwaite Ltd warrants the products detailed on your order to be free from defects in materials and workmanship for a period of 2 years from date of delivery. If a fault develops during the period, please call Customer Services by email or telephone 01626 835552 who will advise you on the best course of action. Possible action may be for us to arrange to send out one of our Service Engineers, or have the goods returned to us. Should a repair not be possible within the guarantee period we will replace the product for new or nearest equivalent product. In the unlikely event that we cannot repair or exchange we will refund in full.

This warranty is for the UK only. The warranty excludes faults due to accident, neglect, misuse, not following the Instructions and normal wear and tear. This warranty is in addition to your legal rights. Goods will only be collected from the original delivery address.

A charge may be made where the goods cannot be repaired under the terms of the warranty. You will be advised before this is made.

T: +44 (0)1626 835552 E: info@smirthwaite.co.uk



8.0 CONTINUOUS IMPROVEMENT

Smirthwaite Ltd is committed to continuous improvement to their product range. Should you have any suggestions or comments please send them to our product design department at: info@smirthwaite.co.uk

Smirthwaite Ltd reserves the right to change the specification or material without prior notice.

For catalogues, help and further information on our products please contact us at:

Smirthwaite Ltd

16 Wentworth Road

Heathfield

Devon

TQ12 6TL

T: +44 (0)1626 835552

F: +44 (0)1626 835428

E: info@smirthwaite.co.uk

W: www.smirthwaite.co.uk



9.0 SERVICE INSPECTION

9.1 Product Information

Model	
Size	
Date of Manufacture	
Serial Number	
Final Inspection	

9.2 Service & inspection record form:

Date	Procedure	Service Personnel







Smirthwaite, 16 Wentworth Road, Heathfield, Newton Abbot, Devon.TQ12 6TL
T: +44 (0) 1626 835552 F: +44 (0) 1626 835428 E: info@smirthwaite.co.uk www.smirthwaite.co.uk

