

06/18



FELIX

INSTRUCTIONS FOR USE

Codes 8101-8105



CONTENTS	PAGE
1.0 INTRODUCTION	1
2.0 ILLUSTRATION OF YOUR FELIX CHAIR	1
3.0 FOR YOUR SAFETY	2
4.0 UNPACKING YOUR CHAIR	3
4.1 ASSEMBLY INSTRUCTIONS	3
5.0 CARE & MAINTENANCE	5
6.0 GUARANTEE AND SERVICE	8
7.0 CONTINUOUS IMPROVEMENT	8
8.0 WARRANTY AND AFTER SALE	9

1.0 INTRODUCTION

Thank you for choosing the Smirthwaite Felix Chair.

The Felix is a basic classroom chair for children from the age of 3 years old who require minimal levels of postural support when seated. The Felix chair has been purposely created to ensure your child feels more included whilst in their classroom environment. It is simple to assemble and stackable for easy storage



IMPORTANT!

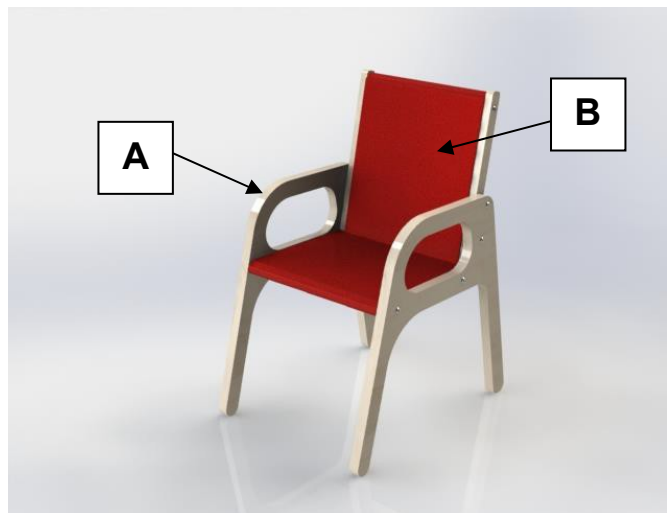
These instructions should be read by all therapists and carers using the equipment and should be retained for future reference. The product should always be used under adult supervision.

Any incorrect use of the product and failure to follow the instructions may put the user at risk or impede the function. If you have any queries using this product or wish for further copies, please do not hesitate to contact Customer Service department on T: 01626 835552 E: info@smirthwaite.co.uk

This product has been designed and manufactured specifically and solely for use by clients with special needs.

2.0 ILLUSTRATION OF YOUR FELIX CHAIR

- A. Chair
- B. Upholstery



3.0 FOR YOUR SAFETY



STOP!

Please read these instructions CAREFULLY and THOROUGHLY.

- The user should **NOT** be left unattended whilst in the chair. Always ensure a responsible therapist or carer is in attendance.

If you believe the chair or any fitted accessory to be faulty at any time, **DO NOT USE** – contact Smirthwaite by telephone on 01626 835552 or info@smirthwaite.co.uk

-
- The chair is **ONLY** to be used indoors on a flat level surface.
- Stack only chairs of the same size and do **NOT** exceed more than 5 chairs high.
- **DO NOT EXCEED USER MAXIMUM WEIGHT LIMITS** as shown below:

Size Guide:

Size	Seat height (mm)	Width (mm)	Seat depth (mm)	Max user weight (kg)
1	258	290	220	75
2	308	330	270	80
3	368	370	320	90
4	418	410	370	110
5	468	450	420	110

- Regular maintenance checks and cleaning are essential for the safe use of this equipment (see Section 5.0 Care and Maintenance).
- Always keep this product away from naked flames, cigarettes and sources of heat including open fireplaces, radiators, heaters.
- **DO NOT** fit parts or accessories of other manufacturers to this product unless authorised to do so in writing by Smirthwaite Ltd. Failure to follow these instructions will not only invalidate the guarantee but could make the seat dangerous to use.
- Smirthwaite Ltd will not accept liability for any injury or damage incurred through such malpractices. Any repairs required must be carried out by Smirthwaite Ltd authorized personnel.



4.0 UNPACKING YOUR SEAT



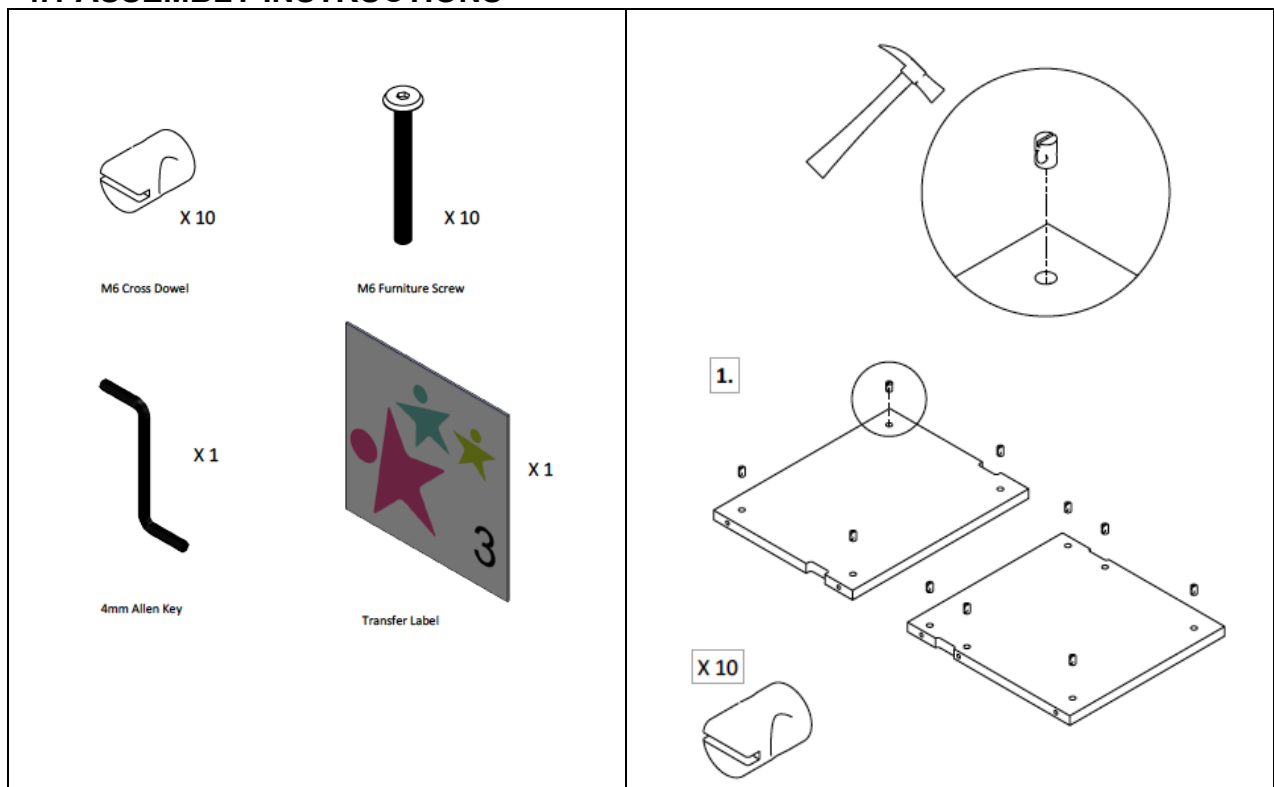
STOP!

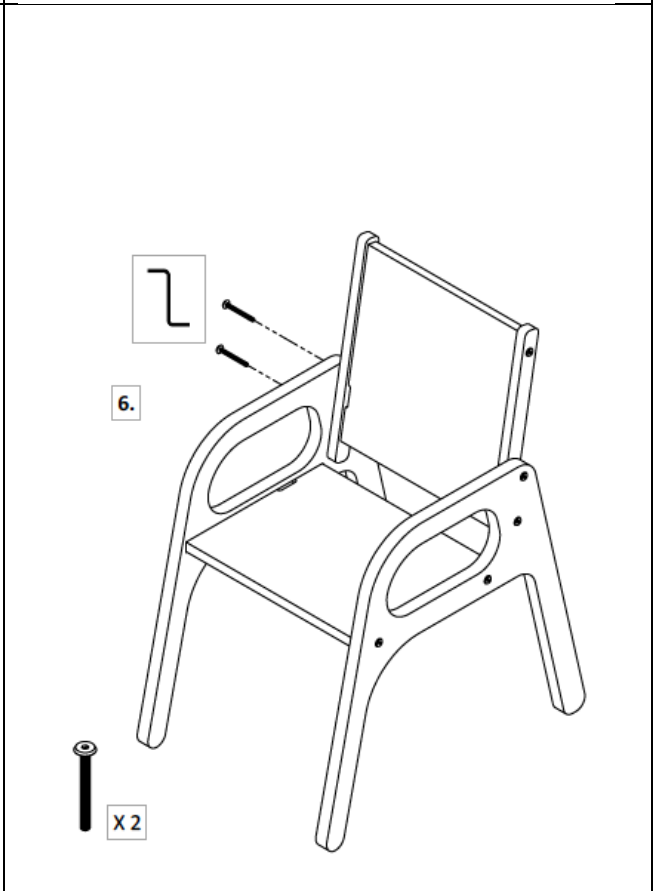
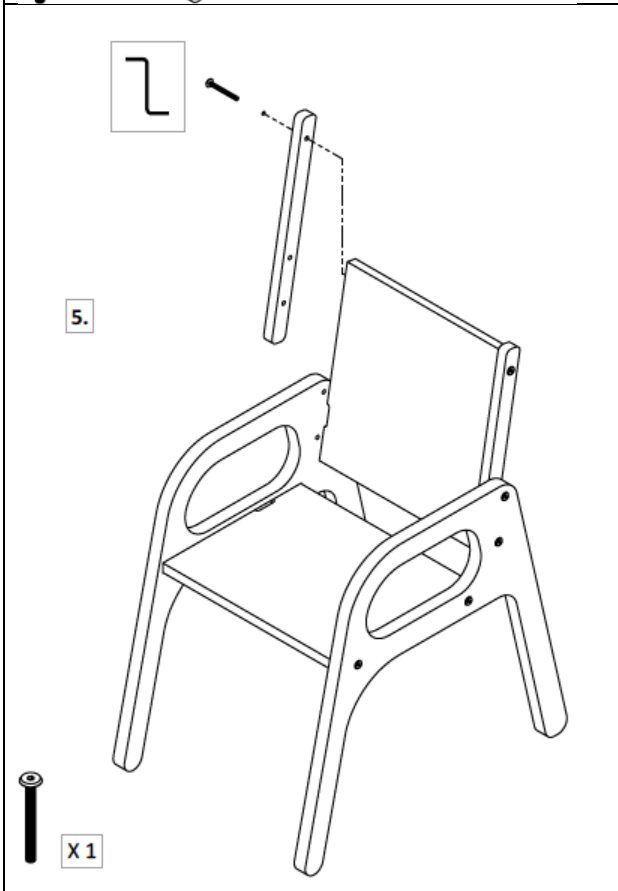
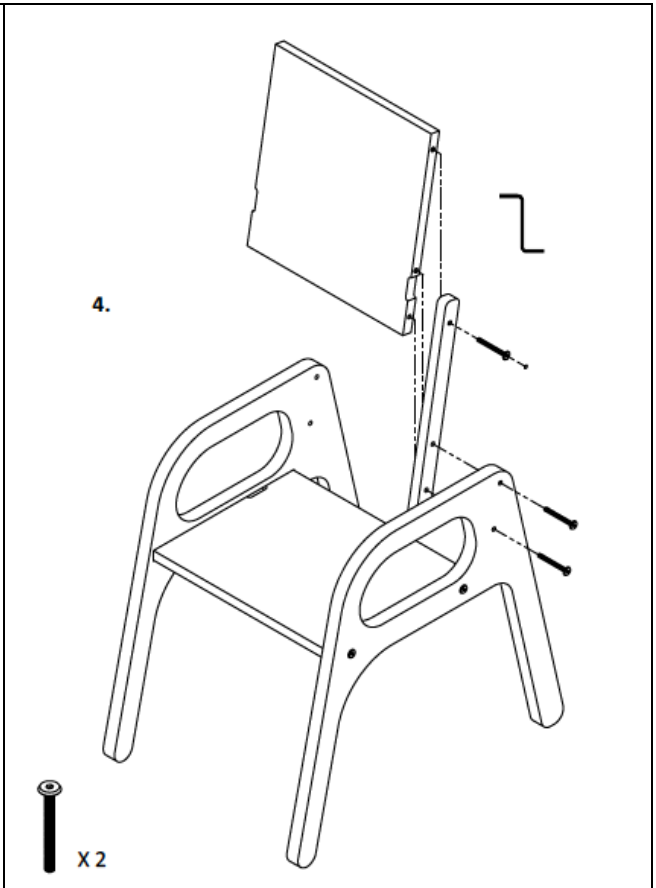
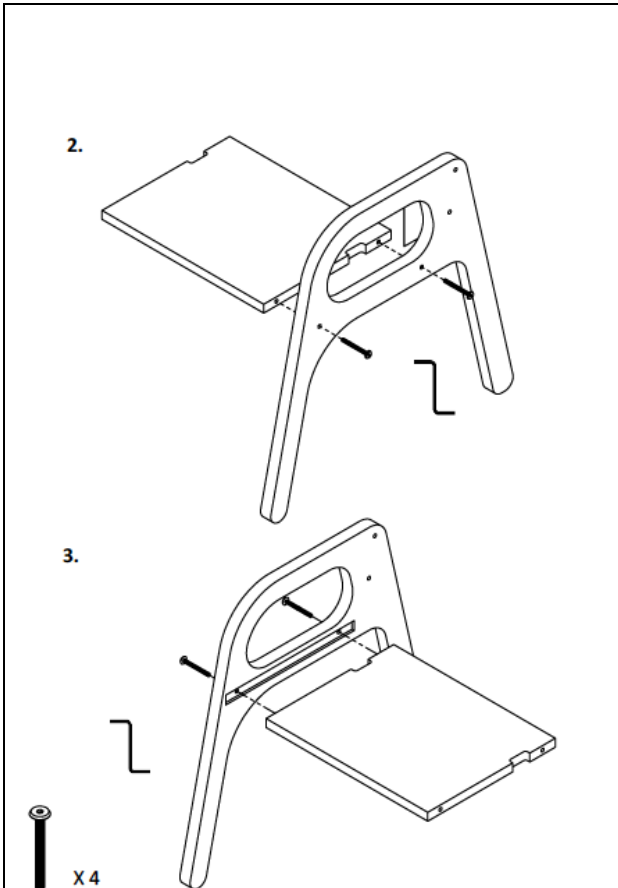
If in any doubt, **ALWAYS** seek **ADVICE**.

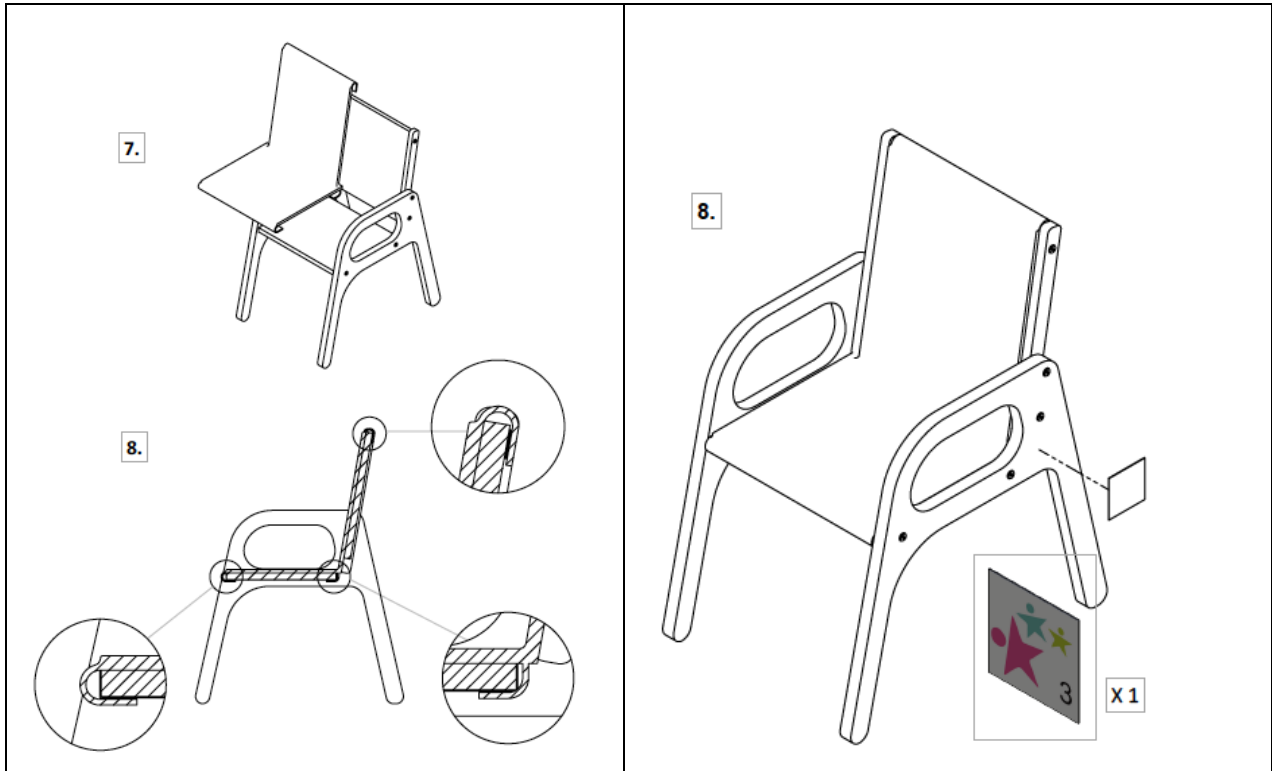
Always turn hand wheels, levers and screws clockwise to tighten or anti-clockwise to loosen.

- When delivered, the seat will be supplied flat packed
- Please ensure you follow the **Felix Assembly Instructions** below.
- Please take note of any instructions on the packaging/box when unpacking.
- Once the seat has been carefully unpacked, please check all parts.
- Ensure small components are not accessible by children to avoid choking situations.

4.1 ASSEMBLY INSTRUCTIONS







STOP!

If you believe this product to be faulty – DO NOT USE – Contact Smirthwaite Ltd on T: +44 (0) 1626 835552

5.0 CARE AND MAINTENANCE



IMPORTANT!

Cleaning is recommended on a regular basis

- Clean upholstery and wooden parts with a damp cloth and mild detergent
- Stubborn marks on wood work should be cleaned by using a soft brush.
- Do not soak or immerse the chair in water.
- The pelvic strap can be cleaned with a damp cloth. In cases of extreme soiling it can be machined washed at low temperature with mild detergent but must be drip dried.
- Store the seat in a cool dry place out of direct sunlight.
- DO NOT use bleach, solvents, abrasives, synthetic detergents, wax polishes, antibacterial sprays or wipes.



5.1 DAILY CHECKS

- Check all parts for signs of wear and tear or damage.
- Check all straps for fraying, and that buckles are not missing/damaged.



STOP!

The user should not be seated while the checks are carried out.

5.2 SERVICE INTERVAL

The Felix chair should be serviced every 3 years. Servicing must only be undertaken by a Smirthwaite service engineer, or by a Smirthwaite trained representative.

5.3 NOMINAL SERVICE LIFE

Your product has a nominal service life of 12 years, during which full post-sales support will be available with regard to spares and servicing.

Product service life has been determined based upon the design complexity of product, and the anticipated exposure to normal use.

Good practice dictates all Smirthwaite products have been designed and manufactured to high levels of safety and quality, and will meet requirements of normal use when maintained in line with our servicing recommendations.



STOP!

If the product has been out of use for an extended period of time (6 months or more) it should always be serviced prior to being reissued.

If the product has been subjected to 'heavy' or 'constant' use, the service should be reduced to half the recommended period.

Constant and/or heavy use is considered to be:

- Daily use above 7 hours duration
- Weekly use above 5 days duration
- Monthly use above 10 months per year
- Use by a client who is at 90% to 100% of the maximum weight limit of the product. The maximum weight limit must **NEVER** be exceeded
- Use by a client who is extremely active, either voluntarily or involuntarily



5.4 EXTENDING NOMINAL SERVICE LIFE

At Smirthwaite we are proud to produce products that have a reputation for quality and durability.

We believe our products have the potential to provide benefits to our clients beyond the nominal service life documented above.

We will continue to provide full support beyond the nominal service life provided the following conditions are met:

1. A full service schedule has been maintained. (Please refer to Page 4)
2. A full service and inspection is undertaken at the end of the nominal service life period
3. The product is subsequently serviced annually (or biannually if under 'heavy/constant' use conditions)
4. Smirthwaite reserve the right to limit support where parts/components are no longer available

5.5 DOCUMENTATION/RECORDS

- It is the responsibility of the current equipment owner to ensure the 'Instructions for Use' manual and any further manuals for accessories fitted to the equipment are handed over to the new owner at the time of exchange/sale
- It is the responsibility of the current equipment owner to ensure the service and inspection record form is kept up to date

5.6 PRODUCT CONFIGURATION

- Smirthwaite will document and maintain a record of the original product configuration at the time of first sale
- Smirthwaite will not be held responsible for any subsequent changes to this configuration unless authorized to do so in writing by Smirthwaite Ltd.
- It is the equipment owner's responsibility to maintain their own records of changes to the equipment configuration and to be able to provide such records to subsequent owners to maintain traceability
- We recommend an inspection/service by a Smirthwaite Service Engineer (or Smirthwaite trained engineer) whenever a significant change is made to product configuration to ensure the product is safe to use. **If in any doubt, ALWAYS seek ADVICE**





IMPORTANT REMINDER!

DO NOT fit parts or accessories of other manufacturers to this product unless authorized to do so in writing by Smirthwaite Ltd.

Any servicing or repairs required must be carried out by Smirthwaite Ltd (or a Smirthwaite trained engineer).

If you believe this product to be faulty – DO NOT USE – Contact Smirthwaite Ltd on T: +44 (0) 1626 835552

If in any doubt, ALWAYS seek ADVICE.

6.0 GUARANTEE & SERVICE

Smirthwaite Ltd warrants the products detailed on your order to be free from defects in materials and workmanship for a period of 2 years from date of delivery. If a fault develops during the period, please call Customer Services by email or telephone 01626 835552 who will advise you on the best course of action. Possible action may be for us to arrange to send out one of our Service Engineers, or have the goods returned to us. Should a repair not be possible within the guarantee period we will replace the product for new or nearest equivalent product. In the unlikely event that we cannot repair or exchange we will refund in full.

This warranty is for the UK only. The warranty excludes faults due to accident, neglect, misuse, not following the Instructions and normal wear and tear. This warranty is in addition to your legal rights. Goods will only be collected from the original delivery address.

A charge may be made where the goods cannot be repaired under the terms of the warranty. You will be advised before this is made.

T: +44 (0)1626 835552 E: info@smirthwaite.co.uk

7.0 CONTINUOUS IMPROVEMENT

Smirthwaite Ltd is committed to continuous improvement to their product range. Should you have any suggestions or comments please send them to our product design department at: info@smirthwaite.co.uk

Smirthwaite Ltd reserves the right to change the specification or material without prior notice.

For catalogues, help and further information on our products please contact us at:

Smirthwaite Ltd
16 Wentworth Road
Heathfield
Devon
TQ12 6TL

T: +44 (0)1626 835552

F: +44 (0)1626 835428

E: info@smirthwaite.co.uk

W: www.smirthwaite.co.uk



8.0 WARRANTY & AFTERSALE

10.1 Product Information

Model	
Size	
Date of Manufacture	
Serial Number	
Final Inspection	

10.2 Service & inspection record form:

Date	Procedure	Service Personnel



CE



Smirthwaite, 16 Wentworth Road, Heathfield, Newton Abbot, Devon.TQ12 6TL
T: +44 (0) 1626 835552 F: +44 (0) 1626 835428 E: info@smirthwaite.co.uk www.smirthwaite.co.uk



Felix